

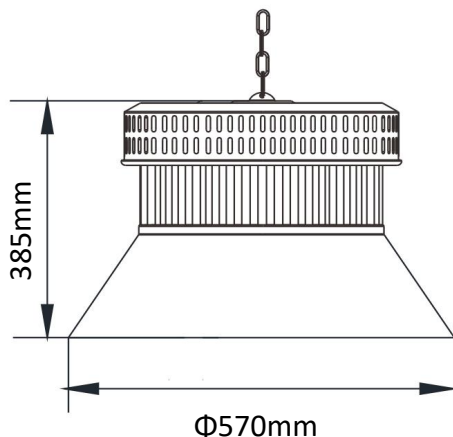
High Bay Light

Product Code
OPTOHBL11GR400W220V



IP rating	44
Ik rating	8
Source type	High power LED
Source life time	>50,000h at 25°C ambient temperature
CRI	>80
Step McAdam	3
Source flux	60000 lm
Source efficiency	150 lm/W
Delivered flux	56000 lm
Delivered efficiency	140 lm/W
Input power	400W
Supply voltage	110~240V AC
Insulation Class	insulation class I
Power supply	Built in constant current driver
Material	aluminum
Light colour/CCT	3000K/4000K/6000K
Beam angle	90°
Mounting	Suspension installation
Reflector color	-
Finishing	Silver

Technical drawing



Temperature limits

Working temperature	-30C° to +50C°
Storage temperature	-50C° to +80C°

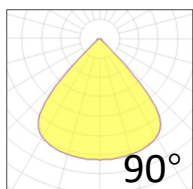
Light control

ON/off,DALI dimming

Construction

Thickened finned aluminum radiator, utilizing air convection for effective heat dissipation, boasts a long service life. The pure aluminum diamond-reflective lampshade ensures excellent light reflection

Photometrics



Warranty

- 5-year limited system warranty standard
- Warranty does not cover product failure due to an overvoltage event (power surge)
- For installations where power surge may be possible, NICOR recommends installing additional surge protection at the electrical distribution panel

Specifications

