

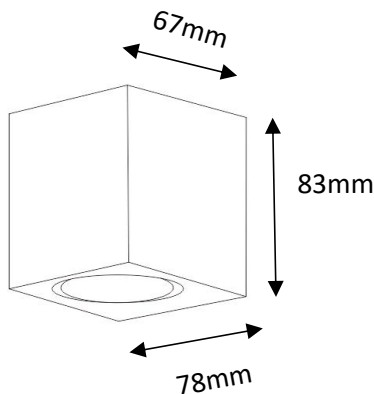
Wall Down Light

Product Code
OPTODL1ES5W220V



IP rating	65
Ik rating	8
Source type	High power LED
Source life time	>50,000h at 25°C ambient temperature
CRI	>80
Step McAdam	3
Source flux	600 lm
Source efficiency	120 lm/W
Delivered flux	400 lm
Delivered efficiency	80 lm/W
Input power	5W
Supply voltage	110~240V AC
Insulation Class	insulation class III
Power supply	Built in constant current
Material	aluminum
Light colour/CCT	2700K/3000K/4000K/6000K
Beam angle	60°
Mounting	surface mount
Reflector color	-
Finishing	Black/White

Technical drawing



Temperature limits

Working temperature	-30°C to +50°C
Storage temperature	-50°C to +80°C

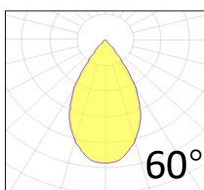
Light control

ON/off, DALI dimming

Construction

Corrosion resistant die-cast aluminum body. Polyester powder coating, with a pluri-processed against corrosion

Photometrics



Warranty

- 5-year limited system warranty standard
- Warranty does not cover product failure due to an overvoltage event (power surge)
- For installations where power surge may be possible, NICOR recommends installing additional surge protection at the electrical distribution panel

Specifications

