

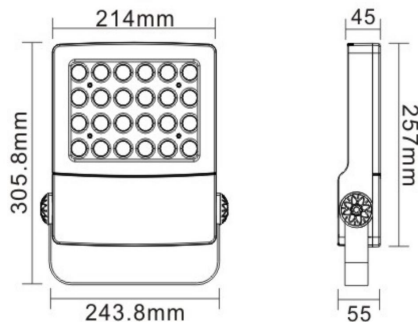
Flood Light

Product Code
OPTOFL1DS24*2W220V



IP rating	65
Ik rating	8
Source type	High power LED
Source life time	>50,000h at 25°C ambient temperature
CRI	>80
Step McAdam	3
Source flux	5760 lm
Source efficiency	120 lm/W
Delivered flux	3840 lm
Delivered efficiency	80 lm/W
Input power	48W
Supply voltage	110~240V AC
Insulation Class	insulation class III
Power supply	Built in constant current
Material	aluminium
Light colour/CCT	3000K/4000K/6000K
Beam angle	30°/60°/90°/120°
Mounting	surface mount
Reflector color	-
Finishing	Grey

Technical drawing



Temperature limits

Working temperature	-40°C to +50°C
Storage temperature	-40°C to +75°C

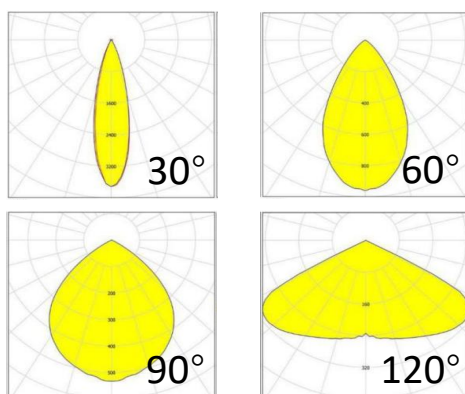
Light control

ON/off

Construction

Die cast aluminum shell, surface sandblasting treatment, anti-corrosion and rust prevention, adjustable bracket, tempered glass, stainless steel screws

Photometrics



Warranty

- 5-year limited system warranty standard
- Warranty does not cover product failure due to an overvoltage event (power surge)
- For installations where power surge may be possible, NICOR recommends installing additional surge protection at the electrical distribution panel

Specifications

