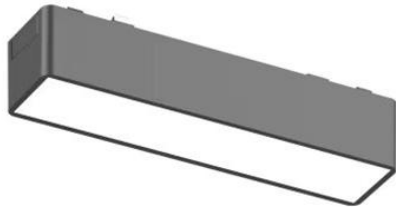


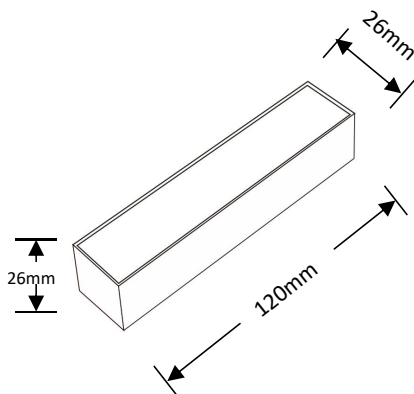
M26 Magnetic Track Light

Product Code
OPTIMT26FL6W48VA
OPTIMT26FL6W48VAD



IP rating	54
Ik rating	8
Source type	High power LED
Source life time	>50,000h at 25°C ambient temperature
CRI	>90
Step McAdam	3
Source flux	720 lm
Source efficiency	120 lm/W
Delivered flux	558 lm
Delivered efficiency	93 lm/W
Input power	6W
Supply voltage	DC48V
Insulation Class	insulation class III
Power supply	Built in constant current driver
Material	aluminum
Light colour/CCT	3000K/4000K/6000K
Beam angle	110°
Mounting	Track installation
Reflector color	black
Finishing	black

Technical drawing



Temperature limits

Working temperature	-30C° to +50C°
Storage temperature	-50C° to +80C°

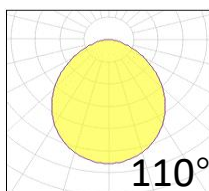
Light control

ON/off, optional DALI dimming

Construction

Die cast aluminum shell, matte painted surface, track head with strong magnet, suitable for standard 26 tracks and accessories

Photometrics



Warranty

- 5-year limited system warranty standard
- Warranty does not cover product failure due to an overvoltage event (power surge)
- For installations where power surge may be possible, NICOR recommends installing additional surge protection at the electrical distribution panel

Specifications

