

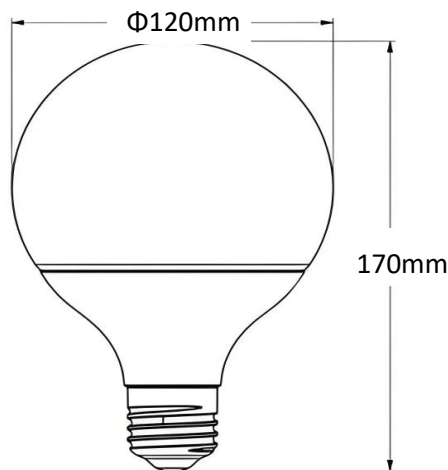
G120 Bulbs

Product Code
OPTIG120W25PA220V
OPTIG120W25PA220VD



IP rating	40
Ik rating	6
Source type	High power LED
Source life time	>50,000h at 25°C ambient temperature
CRI	>80
Step McAdam	3
Source flux	3500 lm
Source efficiency	140 lm/W
Delivered flux	3000 lm
Delivered efficiency	120 lm/W
Input power	25W
Supply voltage	110V/220V AC
Insulation Class	insulation class III
Power supply	Built in constant current
Material	Plastic aluminum
Light colour/CCT	3000K/4000K/6000K
Beam angle	diffuse
Base	E26/E27/E14
Reflector color	-
Finishing	white

Technical drawing



Temperature limits

Working temperature	-30C° to +50C°
Storage temperature	-50C° to +80C°

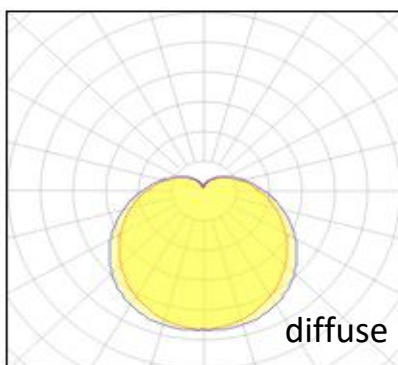
Light control

ON/off, Phase dimming

Construction

The outermost shell is made of plastic, the inside is made of aluminum, and the PC diffusion lampshade

Photometrics



Warranty

- 5-year limited system warranty standard
- Warranty does not cover product failure due to an overvoltage event (power surge)
- For installations where power surge may be possible, NICOR recommends installing additional surge protection at the electrical distribution panel

Specifications

