

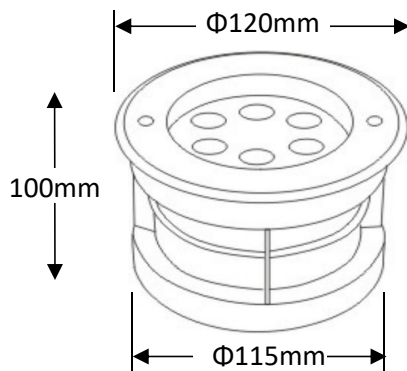
Inground light

Product Code
OPTOIL1CR6*1W220V



IP rating	67
Ik rating	10
Source type	High power LED
Source life time	>50,000h at 25°C ambient temperature
CRI	>80
Step McAdam	3
Source flux	720 lm
Source efficiency	120 lm/W
Delivered flux	480 lm
Delivered efficiency	80 lm/W
Input power	6W
Supply voltage	220V AC
Insulation Class	insulation class III
Power supply	Built in constant current
Material	aluminium+304 stainless steel
Light colour/CCT	3000K/3500K/4000K/6000K
Beam angle	15°/24°/36°/60°
Mounting	in-ground embedded
Reflector color	black
Finishing	silvery

Technical drawing



Temperature limits

Working temperature	-30C° to +50C°
Storage temperature	-50C° to +80C°

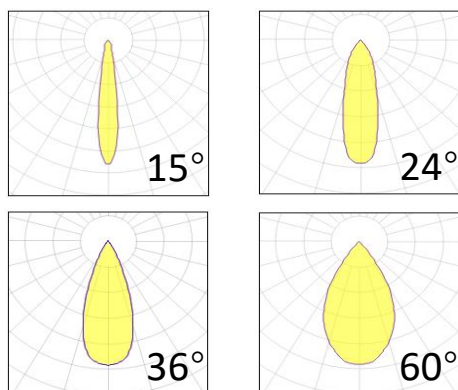
Light control

ON/off

Construction

Die cast aluminum lamp body, stainless steel cover, tempered glass, dual waterproofing of structural waterproofing and adhesive waterproofing.

Photometrics



Warranty

- 5-year limited system warranty standard
- Warranty does not cover product failure due to an overvoltage event (power surge)
- For installations where power surge may be possible, NICOR recommends installing additional surge protection at the electrical distribution panel

Specifications

